

Data Sheet

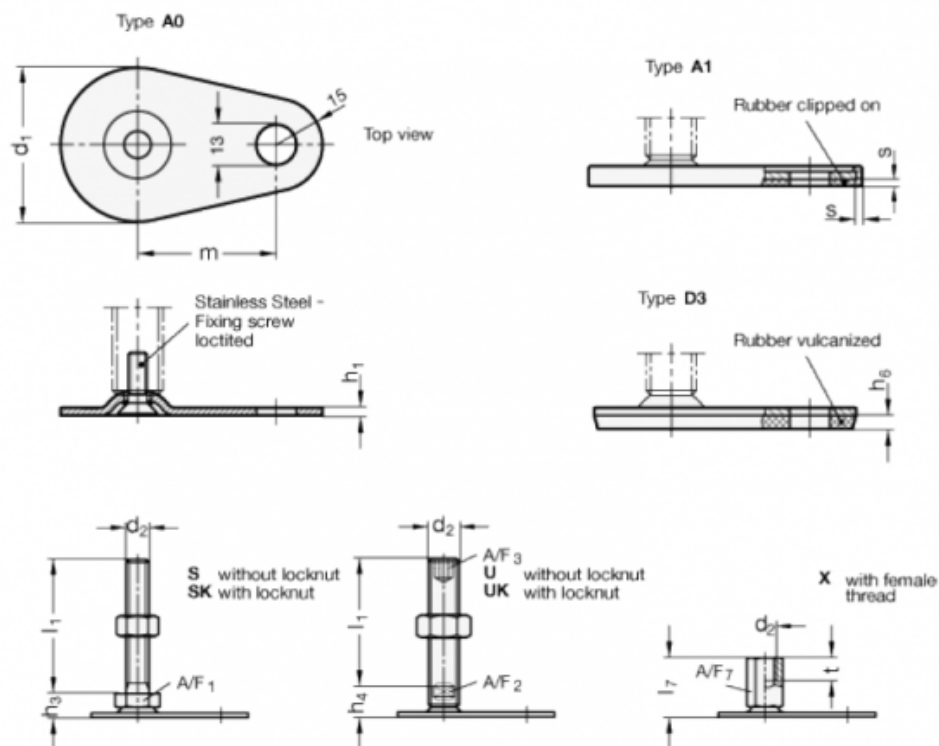


Article number: 204260M1260D3S

Description: E+G levelling foot
GN 42-60-M12-60-D3-S

Note: S Without nut, External hexagon at the bottom

Measures



A/F1 = 17
d1 = 60
d2 = M12
h1 = 2.5
h3 = 11
h6 = 4.5
l1 = 60
m = 50

s =